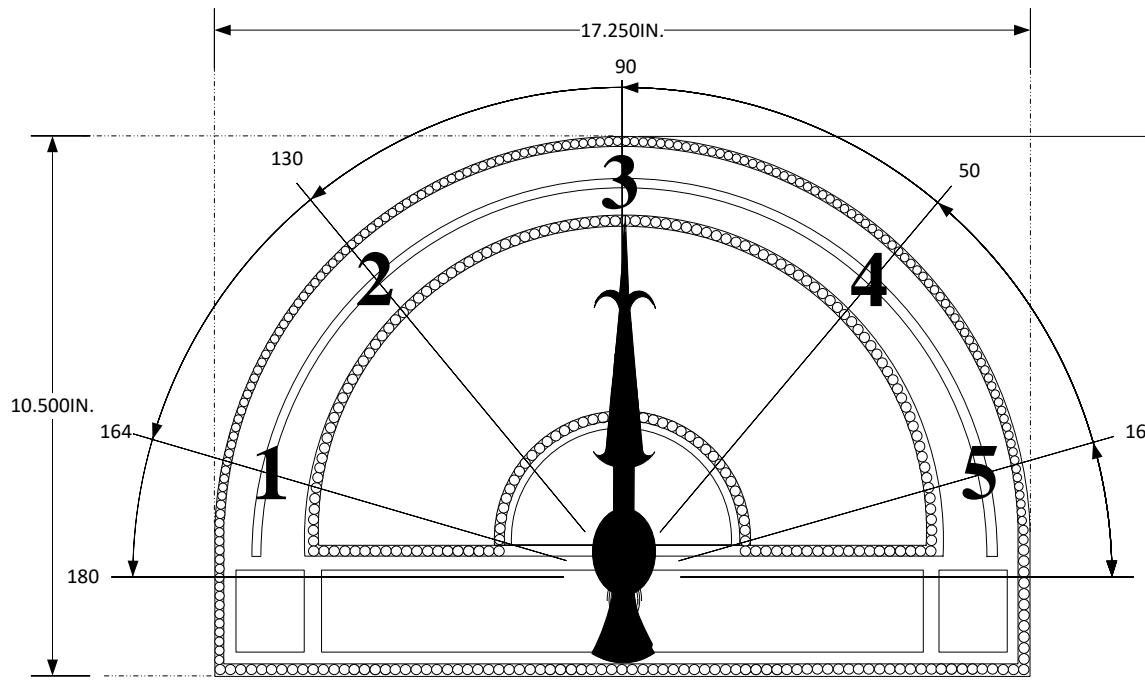


**SAMPLE DIAL INDICATOR DRAWINGS FOR REFERENCE ONLY**



**ITEM: FM9001-DIAL-1-180-5**  
**CLASSIC ANTIQUE DIAL**  
**INDICATOR PLATE WITH ARROW**  
**AND FLOOR MARKINGS -**  
**ELECTRONICS PROVIDED - BEAD**  
**STYLE WITH BACK PLATE:**  
**BOTTOM PAGE 147**

**SIGNAL VOLTAGE: SPECIFY**  
**DISTANCE BETWEEN FLOORS**

- 4-5 (10' - 4 1/8")
- 3-4 (10' - 4 1/8")
- 2-3 (10' - 4 1/8")
- 1-2 (10' - 4")

**SPEED OF TRAVEL: 150 FPM**

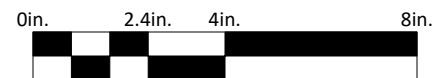
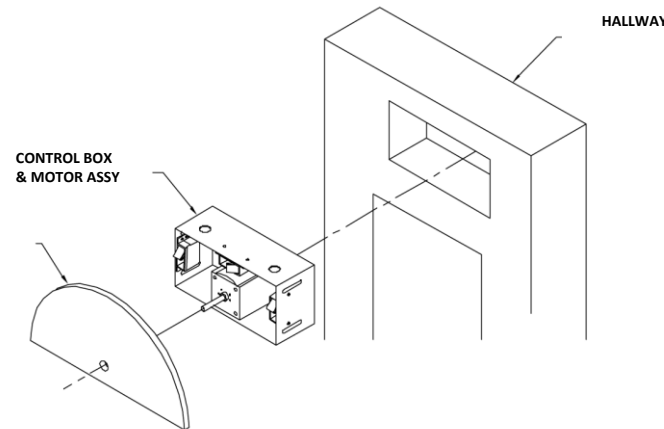
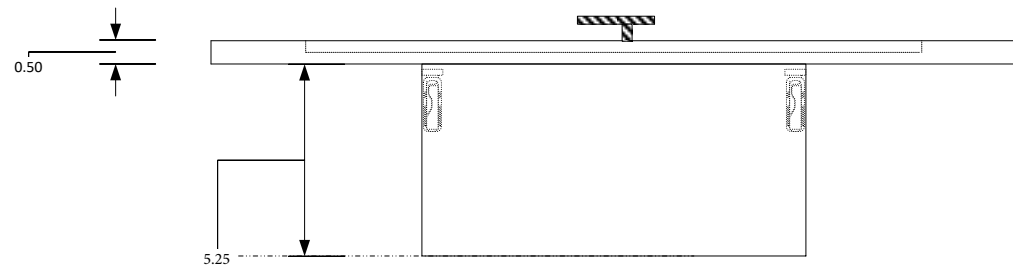
**QUANTITY REQUIRED: 1**



PHOTO BELOW SHOWN AS SAMPLE ONLY

OIL RUBBED BRONZE CASTING FINISH SHOWN WITH GOLD FLOOR MARKINGS AND ARROW

CLIENT MUST PICK CASTING FINISH COLOR ON PAGE 2 BEFORE SENDING BACK FINALS



**Customer Check List: (Please check boxes below and sign)**

**Fixture Voltage**

Enclosure Size (especially depth)

Fire Fighters Service Engraving & Key Switch Number (What code is in effect in your area? Need a special key number?)

Floor Markings

Run Stop Key Switch (For Passenger Elevators) or Push/Pull Stop Switch (For Freight Elevators)

Verify Elevator Number, Capacity, along with any additional engraving required.

Please Revise & Resubmit

No Changes Required Release For Production

Signed By: \_\_\_\_\_ Date: \_\_\_\_\_

<b>C.J. Anderson &amp; Co</b> 2021	
CURRENT STATUS	OUT FOR APPROVAL
ORIGINAL	05/13/21
REVISION A	
REVISION B	06/09/21
REVISION C	06/09/21
REVISION D	06/10/21
APPROVED	00/00/00
DRAWN BY: T.SYBERT	

VOLTAGE: **NOT REQUIRED**

**NOTE:** CUSTOMER TO CONFIRM VOLTAGE TO LEFT & SIGNING BELOW. IF LEFT BLANK, JOB IS CONSIDERED 110VAC

**C.J. Anderson & Company**  
 4751 N. Olcott Avenue  
 Harwood Heights, IL 60706-4605  
 Phone: 1-800-CJA-1910  
 Fax: 1-708-867-5467  
 Internet: www.cjanderson.com  
 E-mail: sales@cjanderson.com

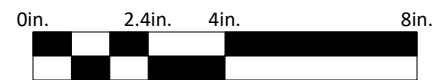
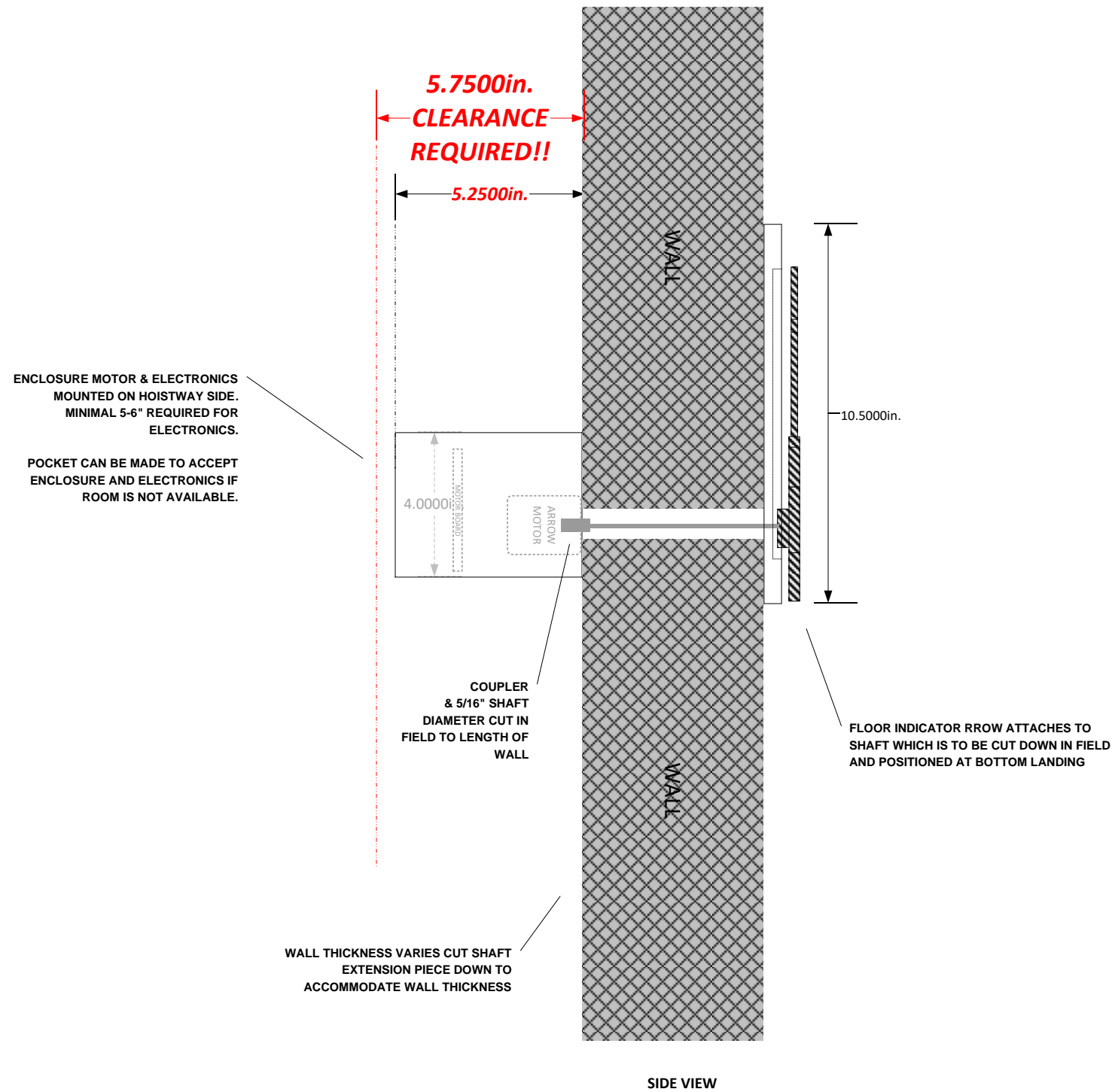
<b>C.J. ANDERSON &amp; COMPANY - Quality Since 1910</b>			
CUSTOMER		MATERIAL USED	
SAMPLE		CAST YELLOW BRASS CUSTOM LOBBY FIRE CONTROL PANEL AND STYLE NO.5 CLASSIC CALL HALL STATIONS - FACEPLATE WITH NEMA 1 ENCLOSURE - FACEPLATE ENGRAVED & FILLED VX BRASS BUTTONS	
SIZE	VOLTAGE	JOB NAME	REV
A	<b>NOT REQUIRED</b>	TBD	<b>D</b>
SCALE	DATE	SHEET	DRAWING NUMBER
1/4 : 1	06/10/2021	1 OF 3	<b>FM9001</b>

S:\FIXTURE DRAWINGS\FM9001 - DIAL INDICATOR MOUNTING OPTIONS 180.VSD

**\*MOUNTING OPTION #2 – CONTROL BOX AND MOTOR MOUNT INSIDE THE SHAFT\* - REV. D – FOR EXISTING DIAL INDICATORS**

**MOUNTING CONTROL BOX**

**PLEASE NOTE A MINIMUM OF 5.75" IS REQUIRED BETWEEN ANY MOVING PIECE OF THE ELEVATOR AND THE CONTROL BOX IN ORDER TO MOUNT THE CONTROL BOX ON THE INSIDE OF THE ELEVATOR SHAFT.**



**Customer Check List:(Please check boxes below and sign)**

Fixture Voltage

Enclosure Size (especially depth)

Fire Fighters Service Engraving & Key Switch Number (What code is in effect in your area? Need a special key number?)

Floor Markings

Run Stop Key Switch (For Passenger Elevators) or Push/Pull Stop Switch (For Freight Elevators)

Verify Elevator Number, Capacity, along with any additional engraving required.

Please Revise & Resubmit

No Changes Required Release For Production

Signed By: \_\_\_\_\_ Date: \_\_\_\_\_

CURRENT STATUS	OUT FOR APPROVAL
ORIGINAL A	05/13/21
REVISION B	06/09/21
REVISION C	06/09/21
REVISION D	06/10/21
APPROVED	00/00/00
DRAWN BY: T.SYBERT	

VOLTAGE

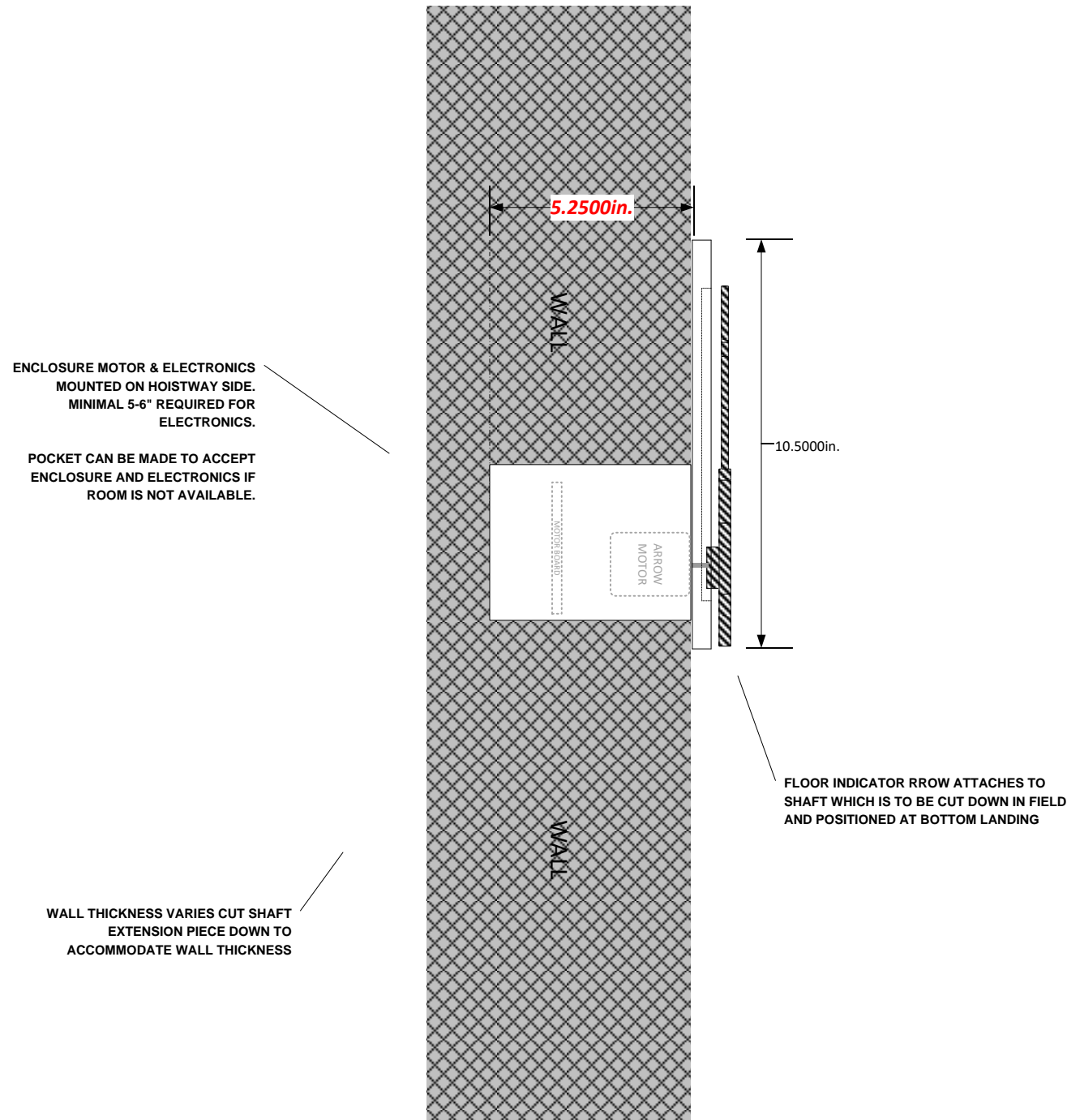
**NOTE:** CUSTOMER TO CONFIRM VOLTAGE TO LEFT & SIGNING BELOW. IF LEFT BLANK, JOB IS CONSIDERED 110VAC

**NOT REQUIRED**

C.J. Anderson & Company  
 4751 N. Olcott Avenue  
 Harwood Heights, IL 60706-4605  
 Phone: 1-800-CJA-1910  
 Fax: 1-708-867-5467  
 Internet: www.cjanderson.com  
 E-mail: sales@cjanderson.com

<b>C.J. ANDERSON &amp; COMPANY- Quality Since 1910</b>			
CUSTOMER		MATERIAL USED	
SAMPLE		CAST YELLOW BRASS CUSTOM LOBBY FIRE CONTROL PANEL AND STYLE NO.5 CLASSIC CALL HALL STATIONS - FACEPLATE WITH NEMA 1 ENCLOSURE - FACEPLATE ENGRAVED & FILLED VX BRASS BUTTONS	
SIZE	VOLTAGE	JOB NAME	REV
A	<b>NOT REQUIRED</b>	TBD	<b>D</b>
SCALE	DATE	SHEET	DRAWING NUMBER
1/4 : 1	06/10/2021	2 OF 3	<b>FM9001</b>

**\*MOUNTING OPTION #1 – CONTROL BOX AND MOTOR MOUNT IN OUTSIDE WALL IN HALLWAY – REV. D**

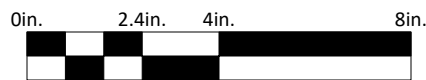


SIDE VIEW

**MOUNTING CONTROL BOX  
IN HALLWAY OVER ELEVATOR ENTRANCE**



**BACK PLATE REQUIRED FOR THIS MOUNTING OPTION**



**Customer Check List:(Please check boxes below and sign)**

Fixture Voltage

Enclosure Size (especially depth)

Fire Fighters Service Engraving & Key Switch Number (What code is in effect in your area? Need a special key number?)

Floor Markings

Run Stop Key Switch (For Passenger Elevators) or Push/Pull Stop Switch (For Freight Elevators)

Verify Elevator Number, Capacity, along with any additional engraving required.

Please Revise & Resubmit

No Changes Required Release For Production

Signed By: \_\_\_\_\_ Date: \_\_\_\_\_

<b>C.J. Anderson &amp; Co</b> 2021	
CURRENT STATUS	OUT FOR APPROVAL
ORIGINAL	05/13/21
REVISION A	
REVISION B	06/09/21
REVISION C	06/09/21
REVISION D	06/10/21
APPROVED	00/00/00
DRAWN BY: T.SYBERT	

VOLTAGE

**NOTE:** CUSTOMER TO CONFIRM VOLTAGE TO LEFT & SIGNING BELOW. IF LEFT BLANK, JOB IS CONSIDERED 110VAC

**NOT REQUIRED**

C.J. Anderson & Company  
4751 N. Olcott Avenue  
Harwood Heights, IL 60706-4605  
Phone: 1-800-CJA-1910  
Fax: 1-708-867-5467  
Internet: www.cjanderson.com  
E-mail: sales@cjanderson.com

<b>C.J. ANDERSON &amp; COMPANY- Quality Since 1910</b>			
CUSTOMER TK ELEVATOR COMPANY 1965 GILLESPIE WAY – SUITE 101 EL CAJON, CA 92020		MATERIAL USED CAST YELLOW BRASS CUSTOM LOBBY FIRE CONTROL PANEL AND STYLE NO.5 CLASSIC CALL HALL STATIONS - FACEPLATE WITH NEMA 1 ENCLOSURE - FACEPLATE ENGRAVED & FILLED Vx BRASS BUTTONS	
SIZE A	VOLTAGE <b>NOT REQUIRED</b>	JOB NAME TERRANCE LOFTS – SAN DIEGO CA	REV <b>D</b>
SCALE 1/4 : 1	DATE 06/10/2021	SHEET 3 OF 3	FULL FILENAME S:\FIXTURE DRAWINGS\FM9001 - DIAL INDICATOR MOUNTING OPTIONS 180.VSD
DRAWING NUMBER			<b>211771</b>